

GSGL Knob Pull

Features

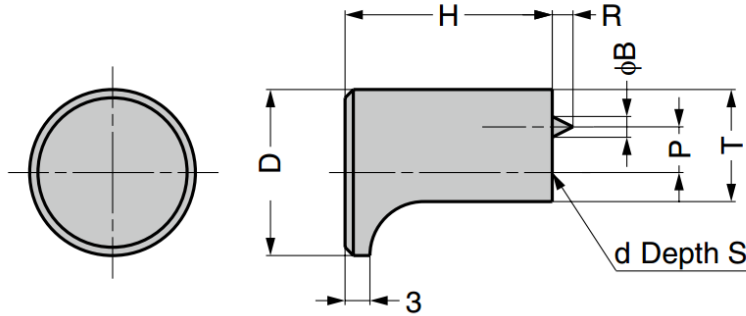
- Compliant with flame retardancy standard UL94-HB

Notes

- Pin position and size may vary

Parts Included

- GSGL:** Truss head screw M3 x 28
- GSGL-16, GSGL-20:** Truss head screw M4 x 28

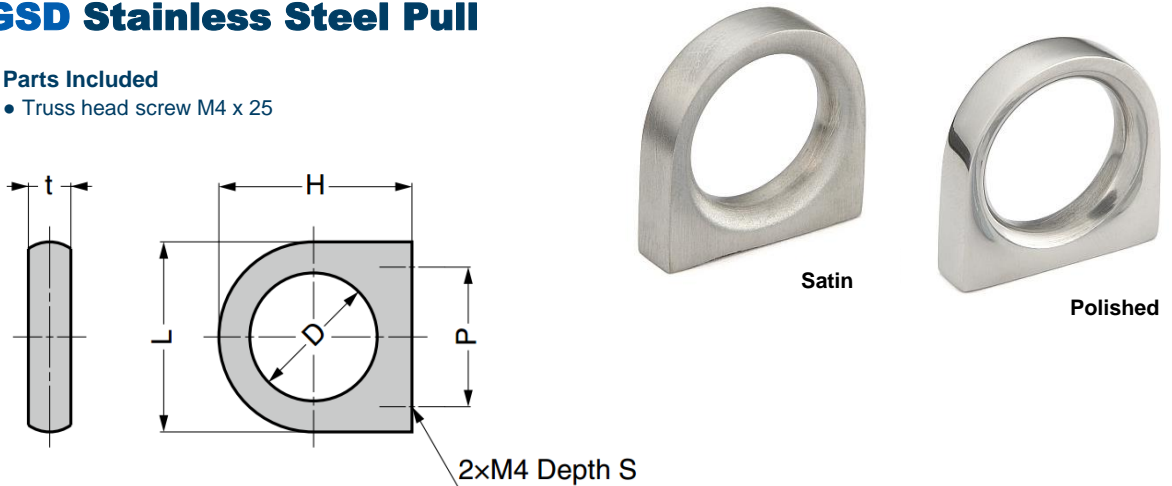


Part No.	Material	Finish	D	H	T	P	B	R	d	S
GSGL-12	ABS	Satin Chrome	12	18	8.5	3	2	2	M3	9.5
GSGL-16			16	22	11	4				
GSGL-20			20	25	13.5	5	2.5	2.5	M4	15.5

GSD Stainless Steel Pull

Parts Included

- Truss head screw M4 x 25



Part No.	Material	Finish	L	H	t	D	P	S
GSD-24S	Stainless Steel 304	Satin	24.5	25	5.5	16.5	18	5
GSD-24M		Polished						
GSD-30S		Satin	30.5	31.5	6.5	20.5	21	6
GSD-30M		Polished						